



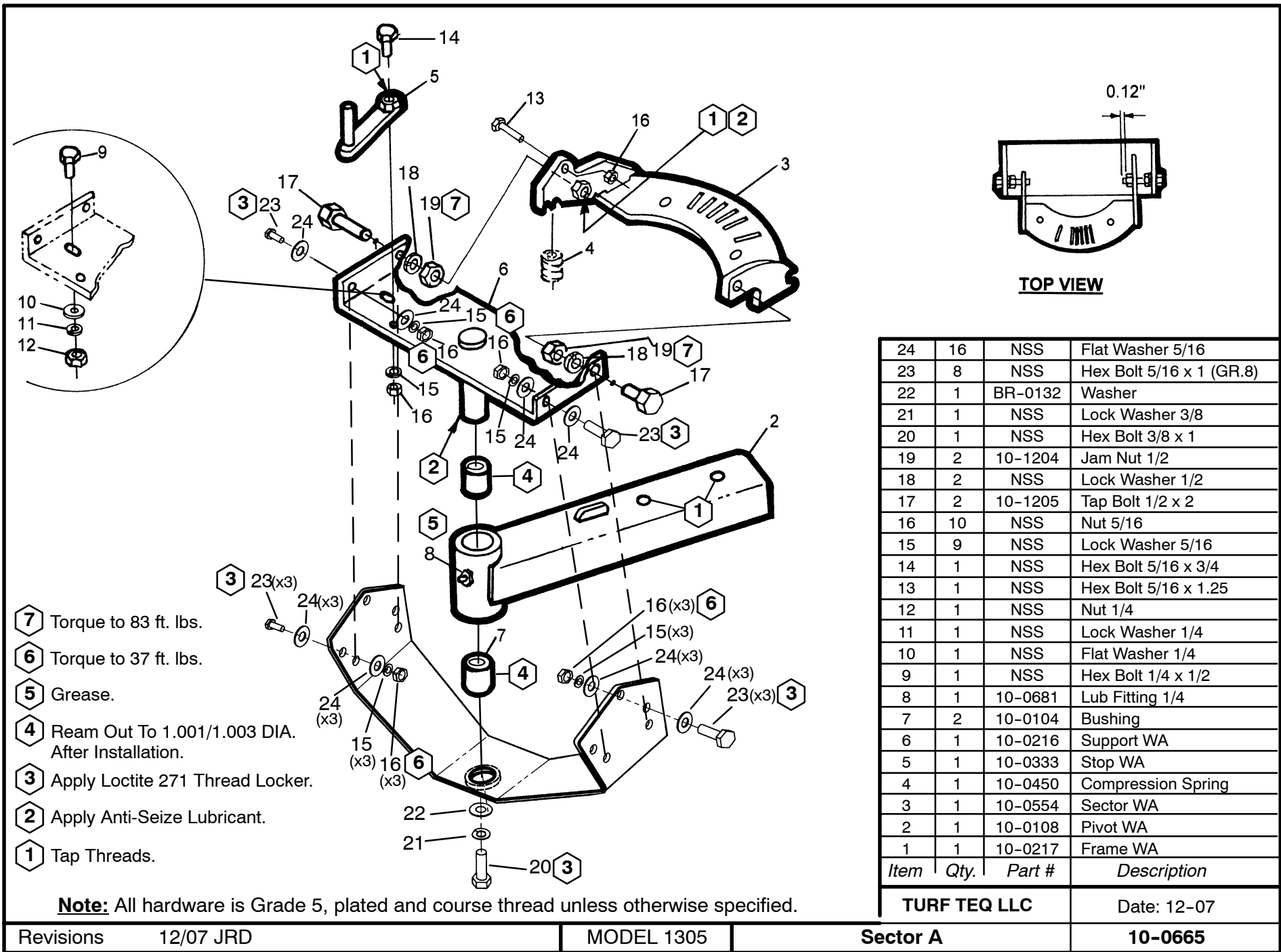
POWER BROOM
PARTS CATALOG
MODEL 1305BR

SERIAL NUMBER 00301 AND ABOVE

Turf Teq LLC
PC1305BR-04-1207

Contents

<u>Part Number</u>	<u>Description</u>	<u>Page Number</u>
10-0665	Sector A	1
10-0667	Engine A	2
10-0680	Lift Arm A	3
10-0682	Hydro Handle A	4
10-0935	K62 Transmission A	5
10-0939	Tractor Frame/Trans A	6
10-0940	Tractor Controls A	7
1305TR1/10-0942	Tractor with Diff-Loc A	8
BR-0114	Gearbox A	9
BR-0115	Idler Arm A	10
BR-0116	Brush A	11
BR-0117	Lid & Latch A	12
BR-0118	Carrier Frame A	13
BR-0119	Caster Wheel A	14
A1300B/BR-0142	Broom Attachment A	15
BR-0155	Lift Linkage A	16
1305BR/BR-0157	Broom/Tractor Connecting A	17
K1305PB/10-0934	Park Brake Kit A	18
K1305WL/10-0936	Wheel-Loc Kit A	19
K1305DL/10-0937	Differential-Loc Kit A	20
K1305LK/10-0938	Broom/Edger Lift Kit A	21



- 7** Torque to 83 ft. lbs.
- 6** Torque to 37 ft. lbs.
- 5** Grease.
- 4** Ream Out To 1.001/1.003 DIA. After Installation.
- 3** Apply Loctite 271 Thread Locker.
- 2** Apply Anti-Seize Lubricant.
- 1** Tap Threads.

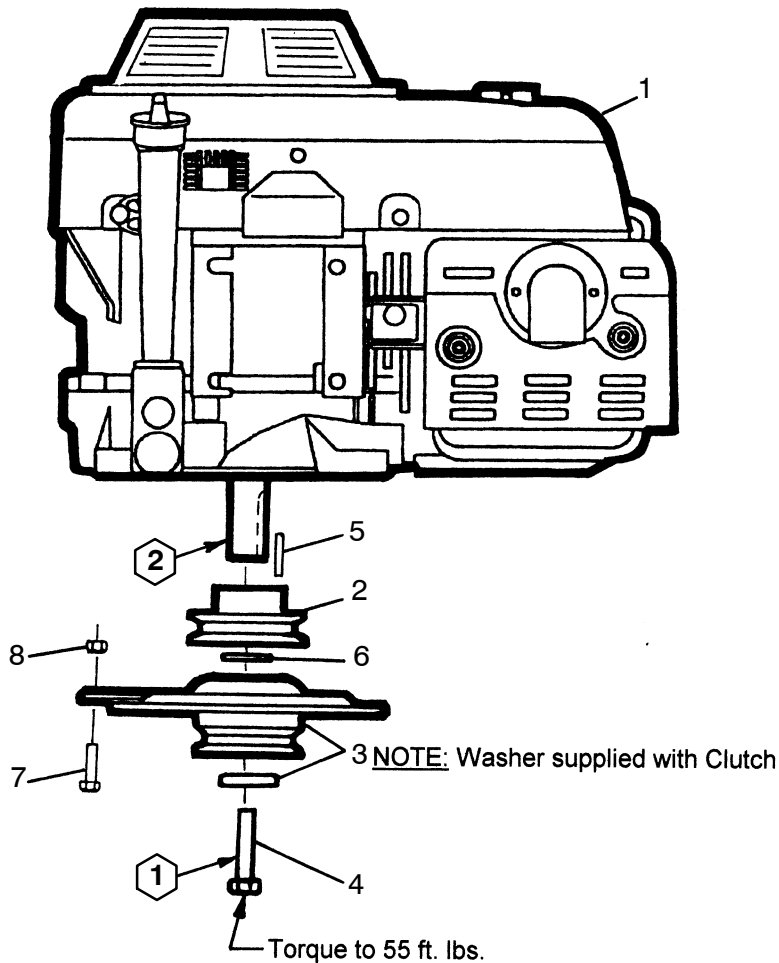
Note: All hardware is Grade 5, plated and course thread unless otherwise specified.

24	16	NSS	Flat Washer 5/16
23	8	NSS	Hex Bolt 5/16 x 1 (GR.8)
22	1	BR-0132	Washer
21	1	NSS	Lock Washer 3/8
20	1	NSS	Hex Bolt 3/8 x 1
19	2	10-1204	Jam Nut 1/2
18	2	NSS	Lock Washer 1/2
17	2	10-1205	Tap Bolt 1/2 x 2
16	10	NSS	Nut 5/16
15	9	NSS	Lock Washer 5/16
14	1	NSS	Hex Bolt 5/16 x 3/4
13	1	NSS	Hex Bolt 5/16 x 1.25
12	1	NSS	Nut 1/4
11	1	NSS	Lock Washer 1/4
10	1	NSS	Flat Washer 1/4
9	1	NSS	Hex Bolt 1/4 x 1/2
8	1	10-0681	Lub Fitting 1/4
7	2	10-0104	Bushing
6	1	10-0216	Support WA
5	1	10-0333	Stop WA
4	1	10-0450	Compression Spring
3	1	10-0554	Sector WA
2	1	10-0108	Pivot WA
1	1	10-0217	Frame WA
<i>Item</i>	<i>Qty.</i>	<i>Part #</i>	<i>Description</i>

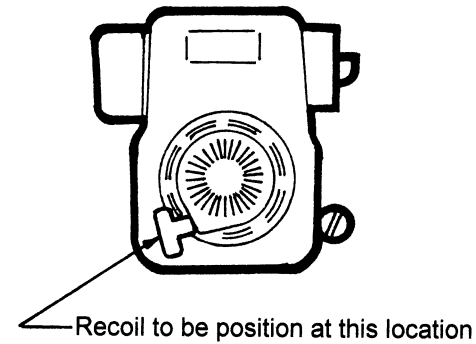
TURF TEQ LLC		Date: 12-07
Revisions	12/07 JRD	10-0665

MODEL 1305

Sector A



TOP VIEW



2 Apply Anti-Seize Lubricant.

1 Apply Loctite 271 Threadlocker.

Note: All hardware is Grade 5, plated and course thread unless otherwise specified.

8	1	NSS	Nut 5/16
7	1	NSS	Hex Bolt 5/16 x 1.0
6	1	10-1110	Washer 1" Machine 1.03 x 1.5 x .07
5	1	10-1121	Keyway 1/4 x .75
4	1	10-1206	Hex Bolt .43 x 2.50 (Gr.8) Fine Thread
3	1	10-0036	Clutch A with Washer
2	1	10-0112	Sheave (3 dia.)
1	1	10-0394	Honda Engine GXV390DA23
<i>Item</i>	<i>Qty.</i>	<i>Part #</i>	<i>Description</i>

TURF TEQ LLC

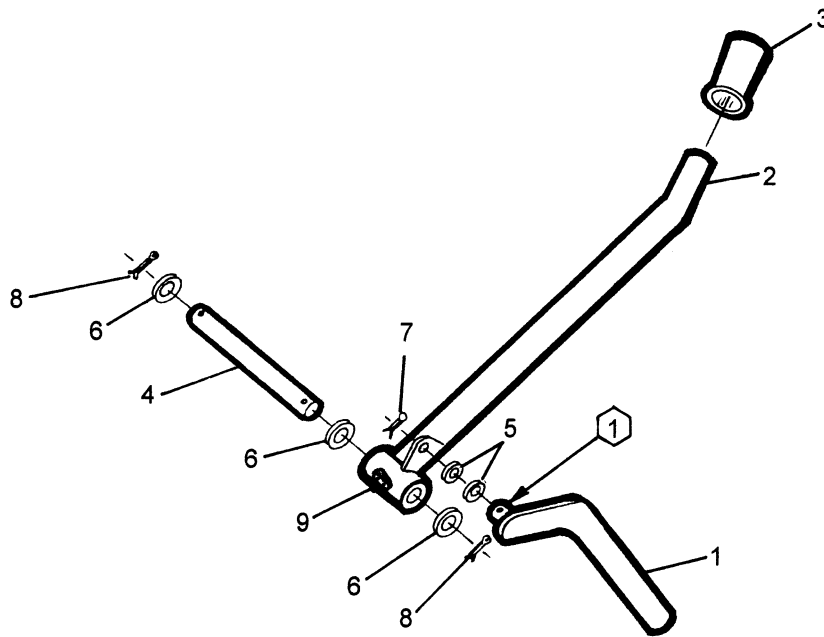
Date: 07-07

Revisions 7/07 JRD

MODEL 1305

Engine A

10-0667



① Apply Anti-Seize Lubricant.

Note: All hardware is Grade 5, plated and course thread unless otherwise specified.

9	1	10-1120	Lub Fitting
8	2	10-1209	Cotter Pin 1/8 x 1
7	1	10-1210	Cotter Pin 3/32 x 3/4
6	3	10-1109	Washer 3/4 Machine .762 x 1.25 x .07
5	2	10-1207	Washer 1/2 SAE .53 x 1.06 x .09
4	1	10-0351	Rod
3	1	10-0190	Handlegrip (1" dia.)
2	1	10-0348	Handle WA
1	1	10-0346	Lift Link WA
<i>Item</i>	<i>Qty.</i>	<i>Part #</i>	<i>Description</i>

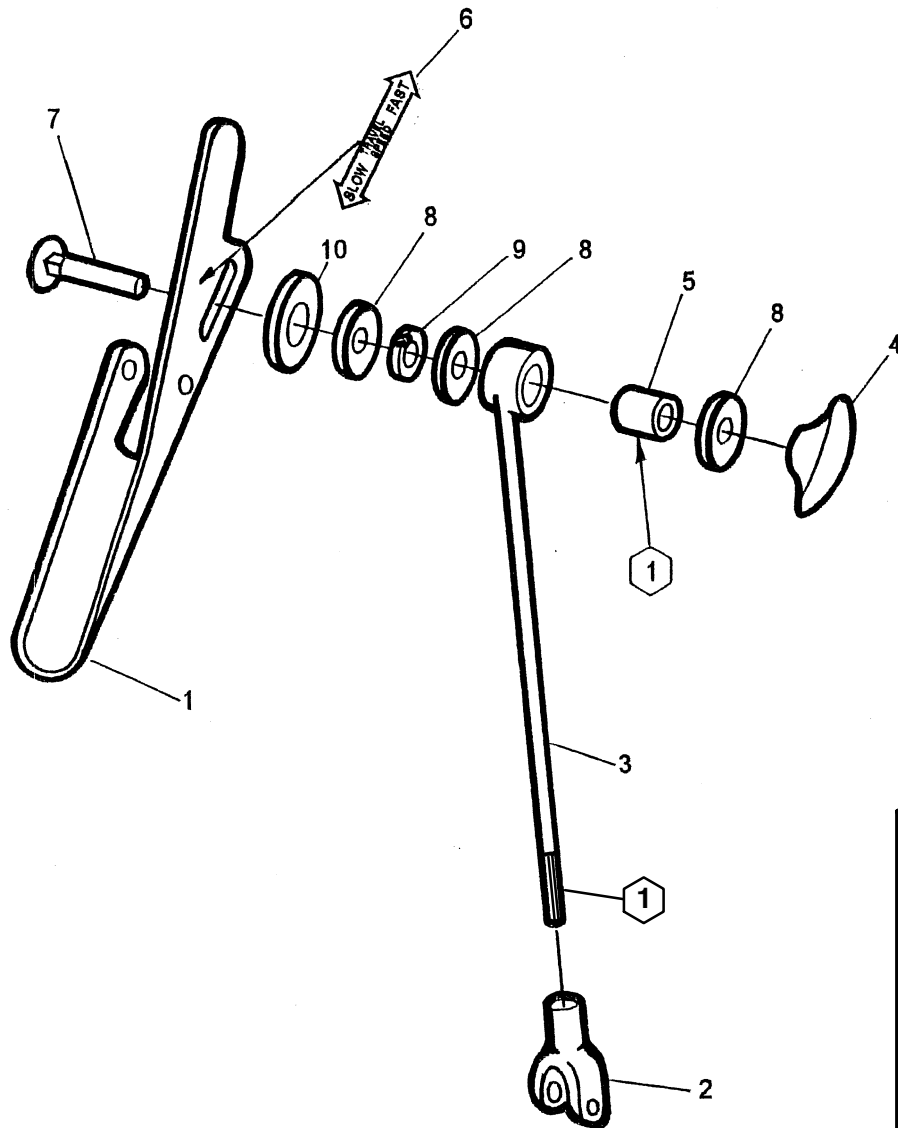
TURF TEQ LLC	Date: 07-07
---------------------	-------------

Revisions 7/07 JRD

MODEL 1305

Lift Arm A

10-0680

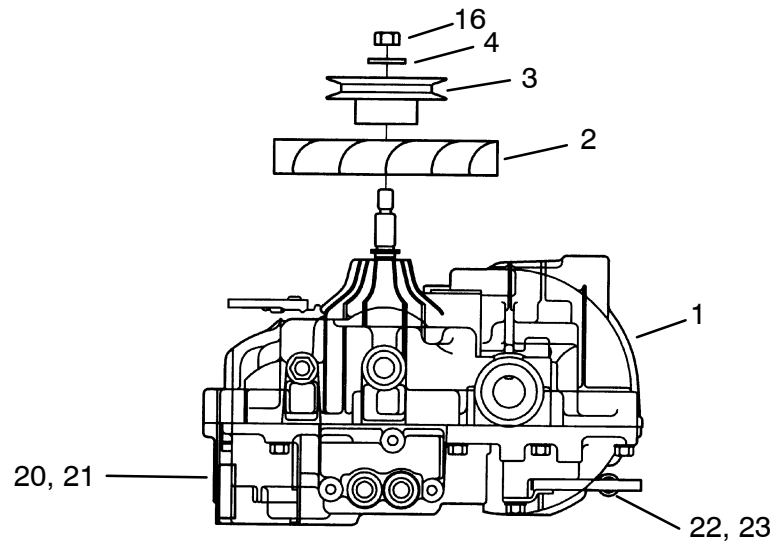
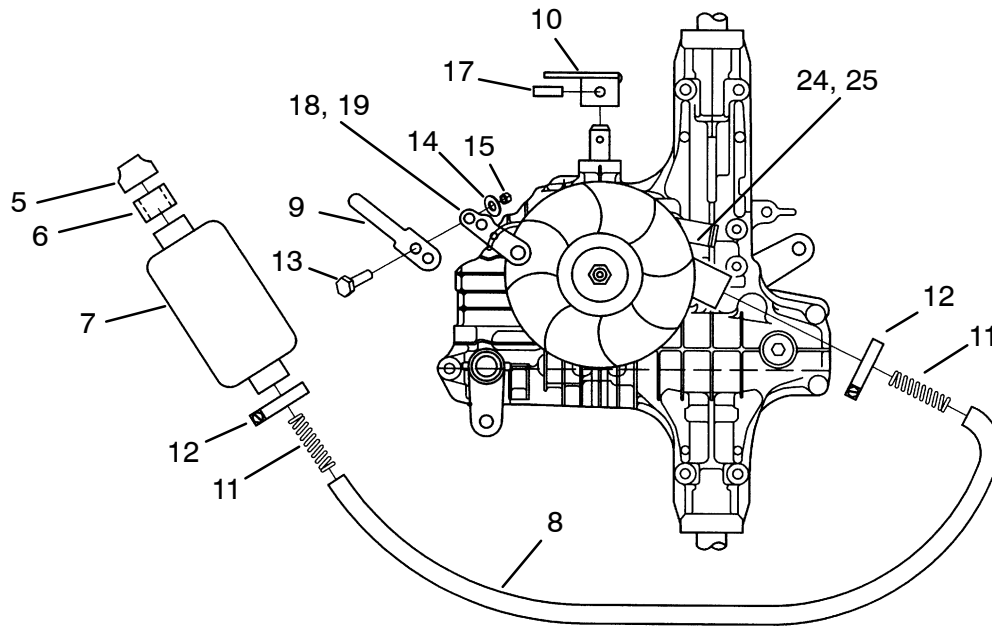


① Apply Anti-Seize Lubricant.

Note: All hardware is Grade 5, plated and course thread unless otherwise specified.

10	1	10-1107	Washer 1/2 USS 9/16 x 1-3/8 x .10
9	1	NSS	Lock Washer 3/8
8	3	10-1105	Washer 5/16 USS 3/8 x 7/8 x .07
7	1	NSS	Carr. Bolt 3/8 x 2
6	1	10-0447	Decal - Travel Speed
5	1	10-0619	Spacer
4	1	10-0664	T-Knob
3	1	10-0881	Rod WA
2	1	10-0449	Yoke End
1	1	10-0254	Handle
<i>Item</i>	<i>Qty.</i>	<i>Part #</i>	<i>Description</i>

TURF TEQ LLC Date: 08-07



25	1	10-1256	Oil Inlet O-Ring
24	1	10-1255	Oil Inlet
23	2	10-1254	O-Ring
22	1	10-1253	Differential Lock Lever
21	1	10-1252	O-Ring
20	1	10-1251	Drain Plug
19	1	10-1247	Spring Lock Retaining Pin
18	1	10-1245	Hydro Release Lever
17	1	10-1119	Metric Spring Pin 6m x 34m
16	1	10-1216	Lock Nut M10 x 1.50
15	1	NSS	Nut 1/4
14	1	NSS	Lock Washer 1/4
13	1	NSS	Hex Bolt 1/4 x 3/4
12	2	10-0859	3/4 Worm Gear Clamp
11	2	10-1037	Spring 3/4 dia. x 5.62
10	1	10-0755	Arm WA
9	1	10-0824	Arm WA
8	1	10-1038	Rubber Hose 1.06 x 19
7	1	10-0838	400 CC Reservoir
6	1	10-0842	Reservoir Filter
5	1	10-0841	Reservoir Cap
4	1	BR-0132	Washer .4 x 1.5 x .40
3	1	10-0840	Pully (3.12 dia.)
2	1	10-0839	Fan (7" dia.)
1	1	10-0899	K62 Transmission
<i>Item</i>	<i>Qty.</i>	<i>Part #</i>	<i>Description</i>

Note: All hardware is Grade 5, plated and course thread unless otherwise specified.

TURF TEQ LLC

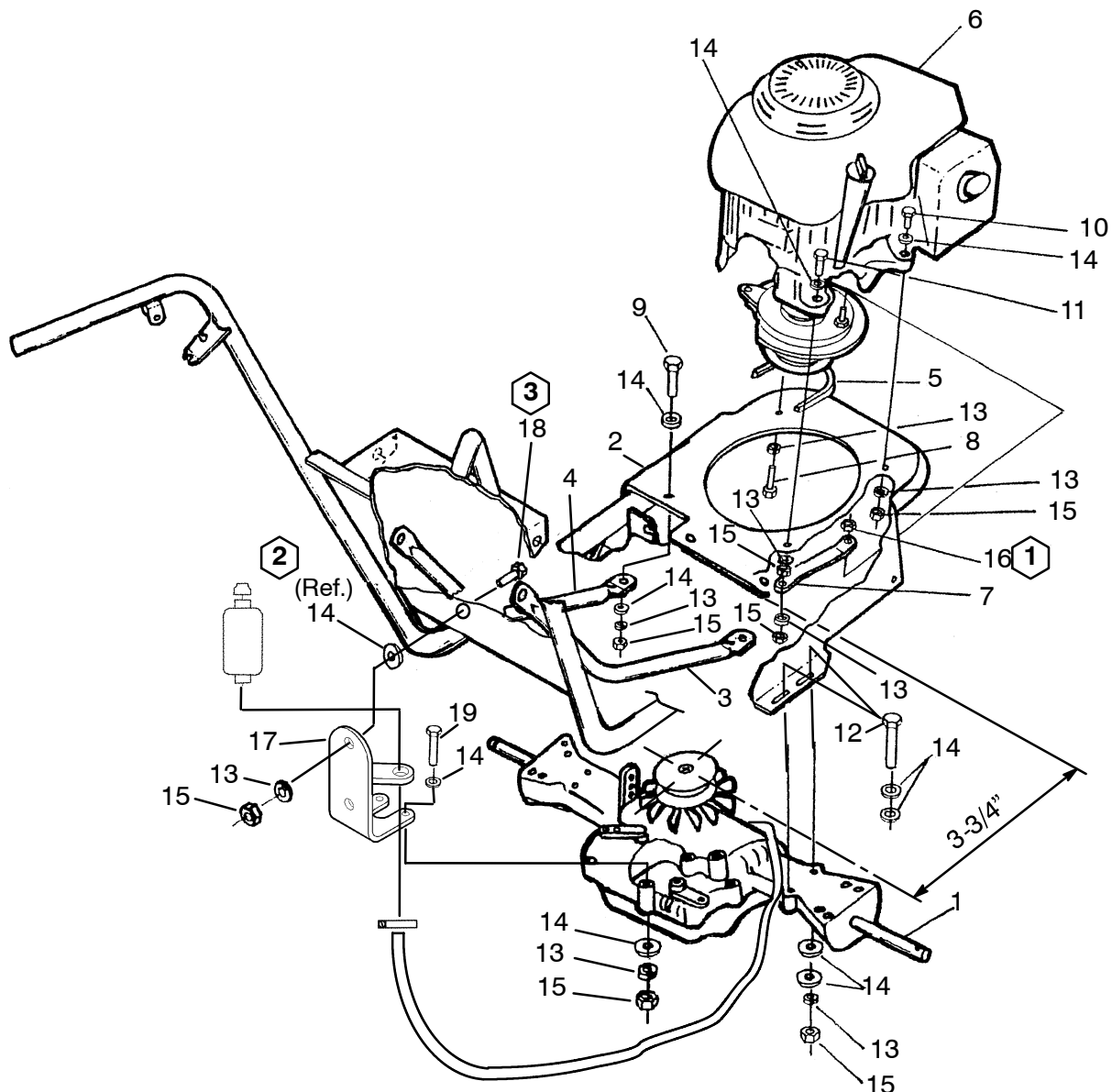
Date: 08-07

Revisions 8/07 JRD

MODEL 1305

K62 Transmission A

10-0935

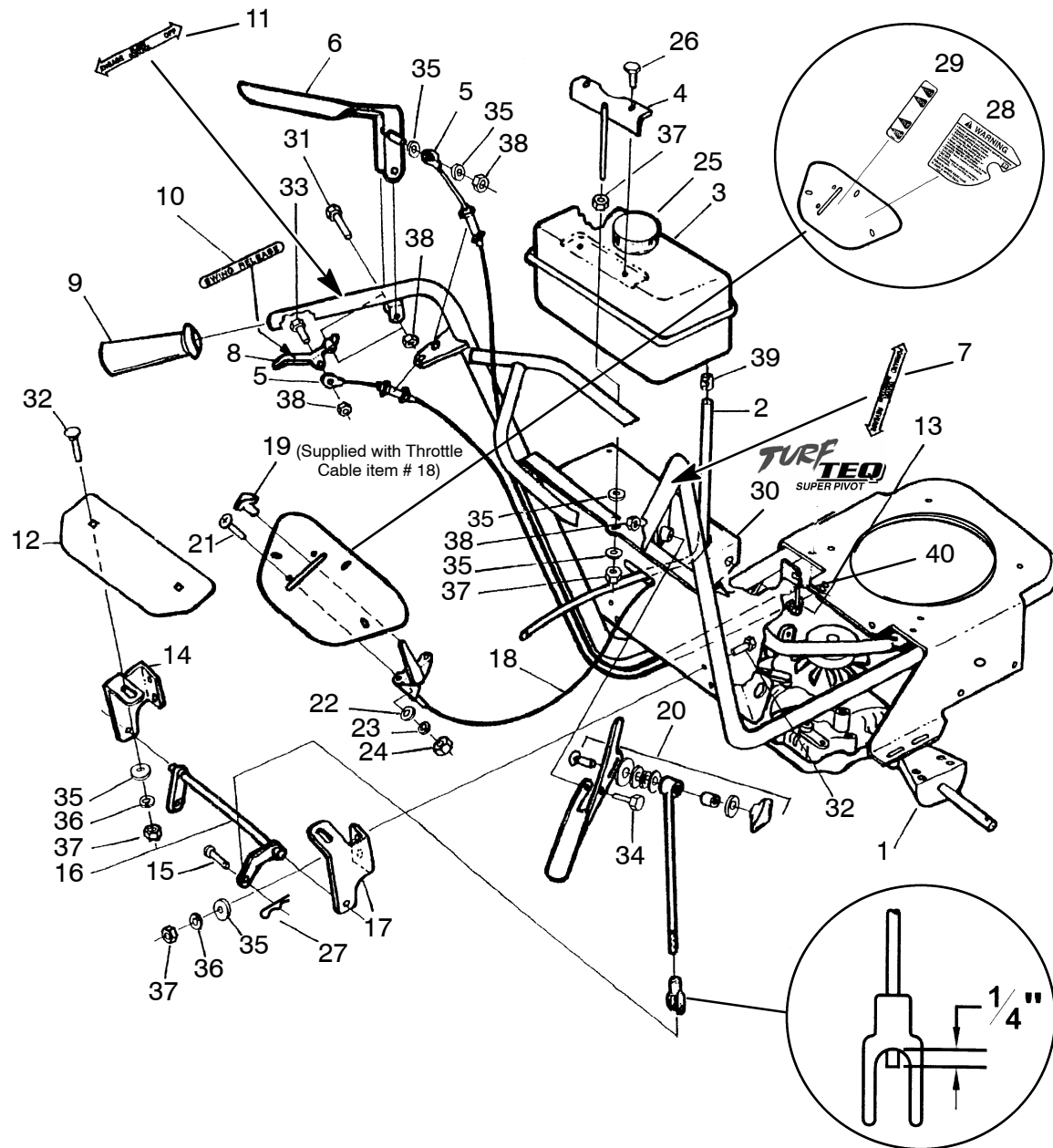


- 1 Apply Loctite 271 Thread Locker
- 2 "If needed" install #14 washer (as many as required after #5 v-belt has been installed and tightened.)
- 3 Tighten #18 carr. bolt after #5 v-belt has been installed and tightened.

19	2	NSS	Hex Bolt 5/16 x 2-1/4
18	1	NSS	Carr. Bolt 5/6 x 1
17	1	10-0818	Mount
16	1	10-1225	Lock Nut 5/16
15	12	NSS	Nut 5/16
14	26	10-1214	Washer 5/16 SAE
13	13	NSS	Lock Washer 5/16
12	4	NSS	Hex Bolt 5/16 x 3
11	1	NSS	Hex Bolt 5/16 x 2
10	1	NSS	Hex Bolt 5/16 x 1-1/2
9	2	NSS	Hex Bolt 5/16 x 1
8	2	10-1226	Hex Bolt 5/16 x 3/4 Fine Thread
7	1	10-0247	Link
6	1	10-0667	Engine A
5	1	10-0902	V-Belt (A-28)
4	1	10-0616	Stiffener LH
3	1	10-0352	Stiffener RH
2	1	10-0191	Handlebar WA
1	1	10-0935	K62 Transmission A
<i>Item</i>	<i>Qty.</i>	<i>Part #</i>	<i>Description</i>

Note: All hardware is Grade 5, plated and course thread unless otherwise specified.

Revisions	11/07 JRD	MODEL 1305	Tractor Frame/Trans A	TURF TEQ LLC	Date: 11-07
					10-0939



40	1	10-1271	Clutch Cable Spring
39	1	10-1230	Hose Clamp - Screw
38	4	10-1225	Lock Nut 5/16
37	8	NSS	Nut 5/16
36	6	NSS	Lock Washer 5/16
35	10	10-1214	Washer 5/16 SAE .34 x .68 x .06
34	1	NSS	Hex Bolt 5/16 x 1-3/4
33	1	NSS	Hex Bolt 5/16 x 1-1/4
32	6	NSS	Carr. Bolt 5/16 x 3/4
31	1	NSS	Hex Bolt 5/16 x 2
30	1	10-1185	Turf Teq Super Pivot Decal
29	1	10-0441	Decal - Throttle
28	1	10-0439	Decal - Warning
27	1	10-1122	Hairpin .06 x 1.31
26	2	10-1229	Self Tapping Hex Screw 3/16 x 3/4
25	1	10-0729	Gas Cap
24	2	NSS	Nut #10
23	2	NSS	Lock Washer #10
22	2	NSS	Washer #10 SAE .21 x .5 x .04
21	2	NSS	Pan Head Machine Screw #10 x 3/4
20	1	10-0682	Hydro Handle A
19	1	10-1227	Throttle Control Handle
18	1	10-0135	Throttle Control Lever A
17	1	10-0340	Bracket RH
16	1	10-0855	Link WA
15	1	10-0615	Clevis Pin 5/16 x 1
14	1	10-0339	Bracket LH
13	2	10-1111	E-clip (1/4 shaft)
12	1	10-0900	Plate
11	1	10-0446	Decal - Blade Control
10	1	10-0444	Decal - Swing Release
9	2	10-0190	Handle Grip
8	1	10-0253	Trigger WA
7	1	10-0448	Decal - Forward / Reverse
6	1	10-0257	Clutch Handle WA
5	2	10-0434	Control Cable A
4	1	10-0395	Hold Down WA
3	1	10-0264	Fuel Tank A
2	1	10-0452	Fuel Hose
1	1	10-0939	Tractor Frame/Trans. A
Item	Qty.	Part #	Description

Note: All hardware is Grade 5, plated and course thread unless otherwise specified.

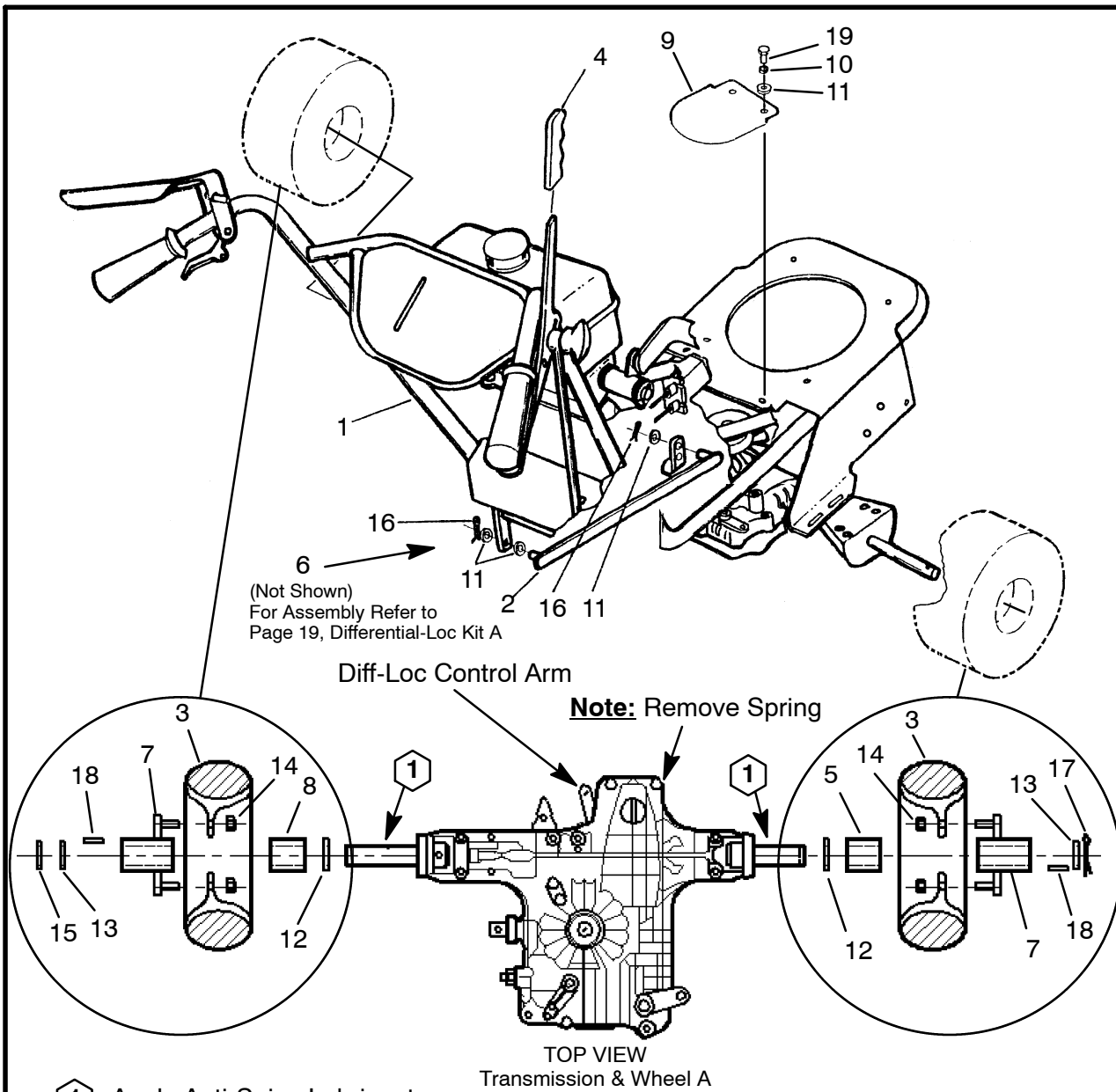
Revisions 11/07 JRD

MODEL 1305

Tractor Controls A

Date:11-07

10-0940



(Not Shown)
For Assembly Refer to
Page 19, Differential-Loc Kit A

Diff-Loc Control Arm

Note: Remove Spring

TOP VIEW
Transmission & Wheel A

1 Apply Anti-Seize Lubricant.

Notes: Includes Diff-Loc Kit. Does Not Include Wheel-Loc Kit.
All hardware is Grade 5, plated and course thread unless otherwise specified.

19	2	NSS	Hex Bolt 5/16 x 3/4
18	2	10-1116	Key 1/4 x 1.25
17	1	10-1222	Cotter Pin 1/8 x 1-3/4
16	2	10-1210	Cotter Pin 3/32 x 3/4
15	1	10-1113	E-Clip 1
14	8	10-1219	Lug Nut 1/2 Fine Thread
13	2	10-1110	Washer 1 Machine
12	2	10-1217	Washer 1 SAE
11	5	10-1214	Washer 5/16 SAE
10	2	NSS	Lock Washer 5/16
9	1	10-0848	Shield
8	1	10-0892	Spacer
7	2	10-0847	Wheel Hub
6	1	10-0937	K1305DL Diff-Loc Kit
5	1	10-0875	Spacer
4	1	10-0474	Handle
3	2	10-0846	Tire & Rim A
2	1	10-0764	Link WA
1	1	10-0940	Tractor Controls A
Item	Qty.	Part #	Description

TURF TEQ LLC

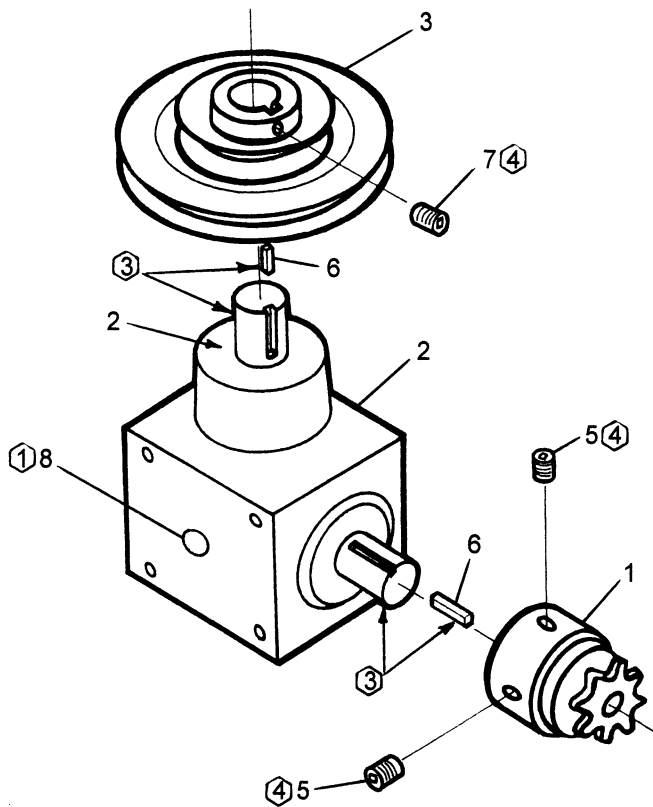
Date: 07-07

Revisions 7/07 JRD

MODEL 1305

Tractor with Diff-Loc A

1305TR1/10-0942



- ④ Apply loctite 271 threadlocker to all set screws.
- ③ Apply anti-seize lubricate.
- ② If vendor shipped gearbox with an aluminum dust shield remove it and discard.
- ① Apply teflon tape or teflon sealant after plug removal.

Note: All hardware is Grade 5, plated and course thread unless otherwise specified.

8	3	10-1208	Oil Fill Plug
7	1	NSS	Setscrew 1/4 x 3/8
6	2	10-1115	Key 1/4 x 1.0
5	2	10-1231	Setscrew 1/4 x 1/2
4			
3	1	BR-0025	Drive Pulley WA
2	1	10-0565	Gearbox
1	1	BR-0061	Sprocket WA
<i>Item</i>	<i>Qty.</i>	<i>Part #</i>	<i>Description</i>

TURF TEQ LLC

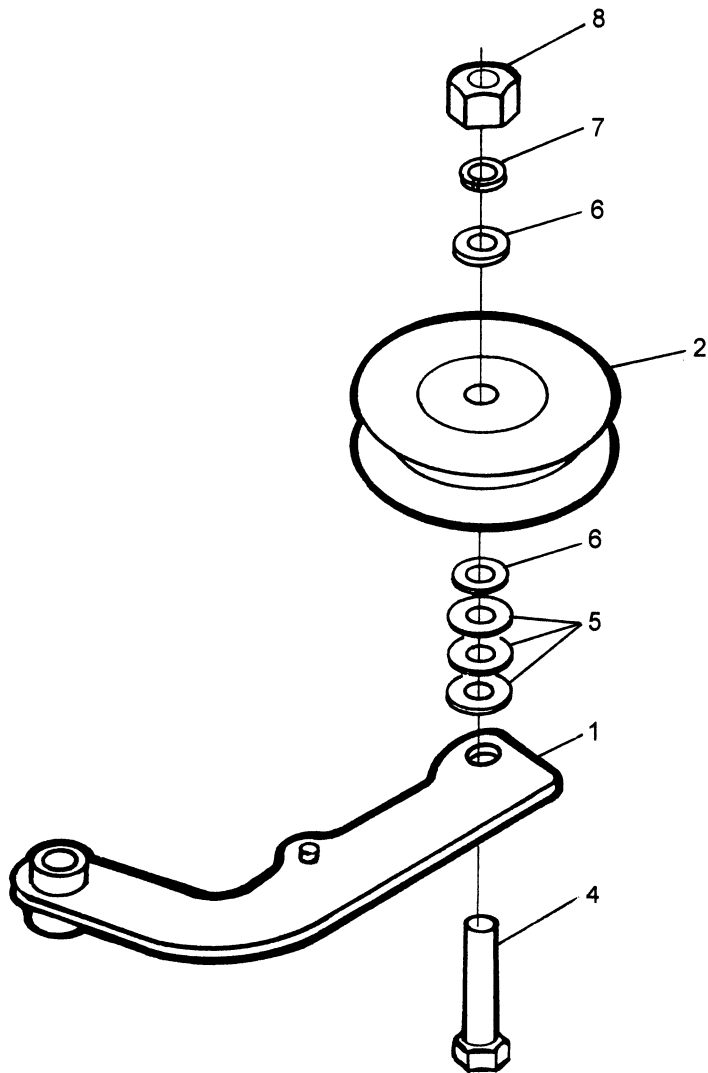
Date: 07-07

Revisions 7/07 JRD

MODEL 1305

Gearbox A

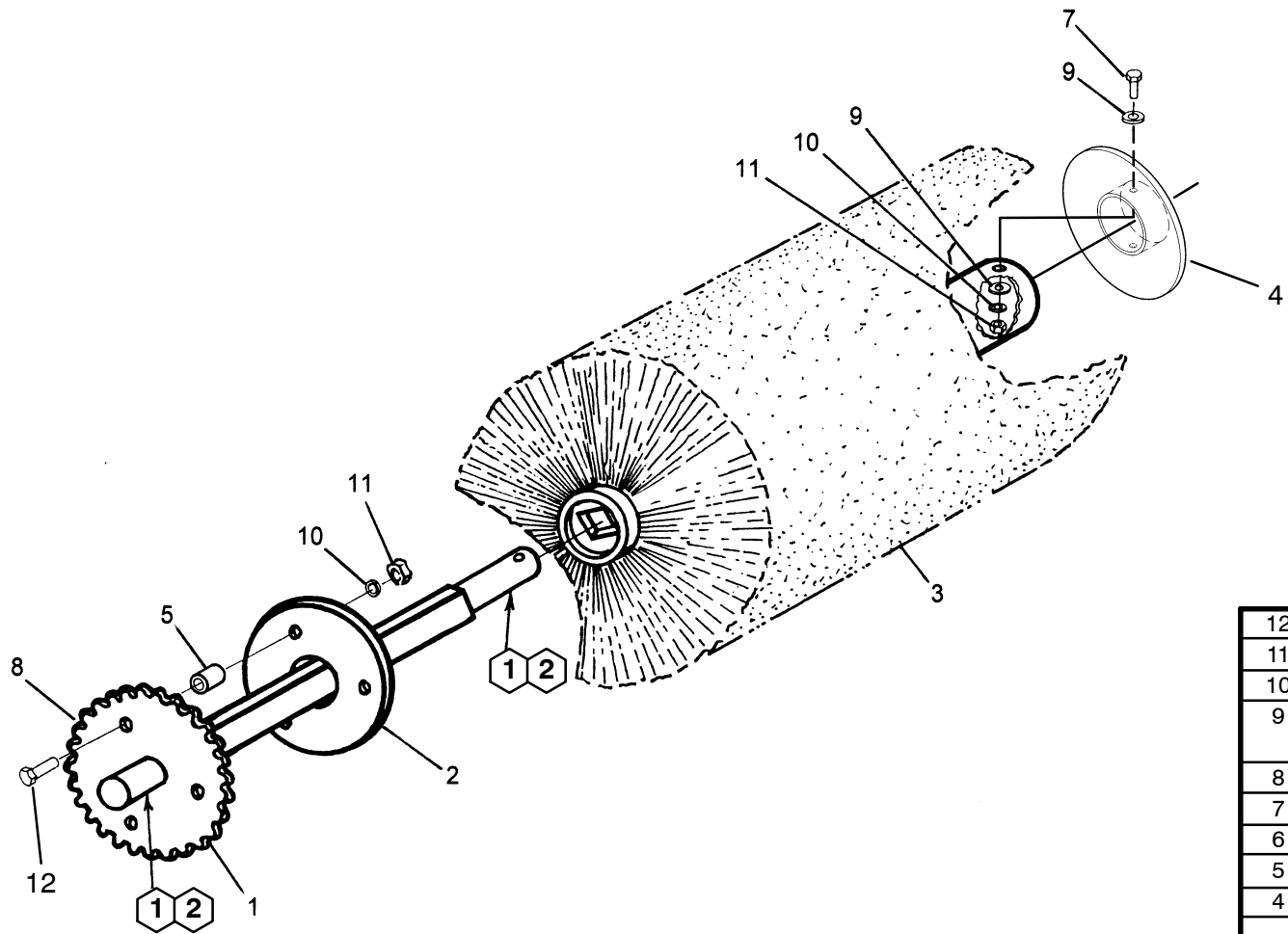
BR-0114



8	1	10-1212	Jam Nut 5/8
7	1	NSS	Lock Washer 5/8
6	2	10-1108	Washer 5/8 Machine 5/8 x 1.0 x .07
5	3	10-1224	Washer 5/8 SAE 5/8 x 1.3 x .13
4	1	NSS	Hex Bolt 5/8 x 1-3/4
3			
2	1	10-0433	Flanged Idler
1	1	BR-0104	Arm WA
<i>Item</i>	<i>Qty.</i>	<i>Part #</i>	<i>Description</i>

Note: All hardware is Grade 5, plated and course thread unless otherwise specified.

TURF TEQ LLC		Date: 07-07
Revisions	7/07 JRD	MODEL 1305
		Idler Arm A
		BR-0115



2 Apply Anti-Seize Lubricant.

1 Emery cloth shaft to remove plating.

Note: All hardware is Grade 5, plated and course thread unless otherwise specified.

12	3	NSS	Hex Bolt 5/16 x 1-3/4
11	5	NSS	Nut 5/16
10	5	NSS	Lock Washer 5/16
9	4	10-1214	Washer 5/16 SAE 5/16 x .68 x 1/16
8	3	NSS	Hex Bolt 5/16 x 1.75
7	2	NSS	Hex Bolt 5/16 x 3/4
6			
5	3	BR-0062	Spacer 3/8 x 9/16 x 15/16
4	1	BR-0060	Ring WA
		BR-0126	Brush A (Optional poly & wire)
3	1	BR-0020	Brush A (Standard poly)
2	1	BR-0036	End Plate
1	1	BR-0045	Drive Shaft WA
<i>Item</i>	<i>Qty.</i>	<i>Part #</i>	<i>Description</i>

TURF TEQ LLC

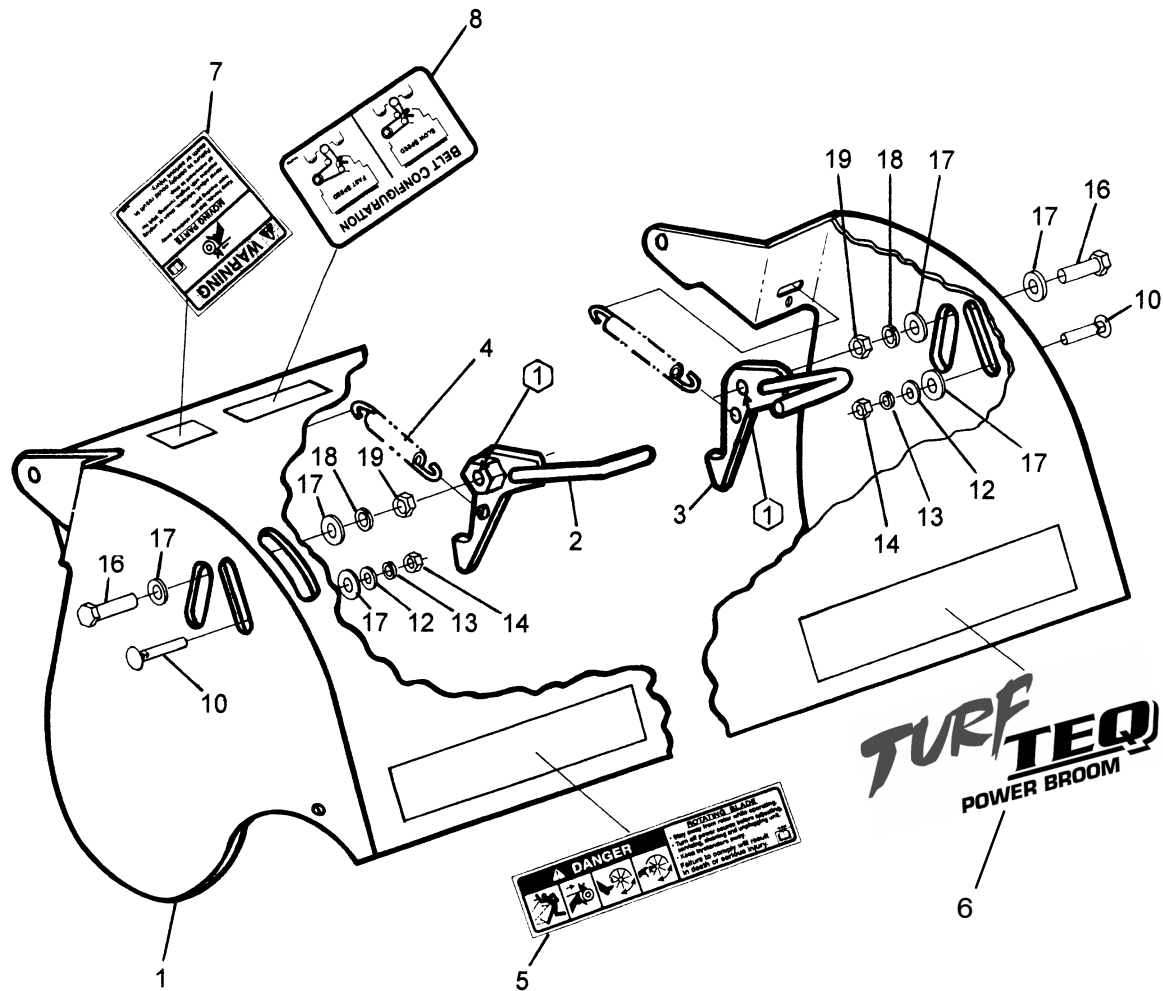
Date: 07-07

Revisions 7/07 JRD

MODEL 1305

Brush A

BR-0116

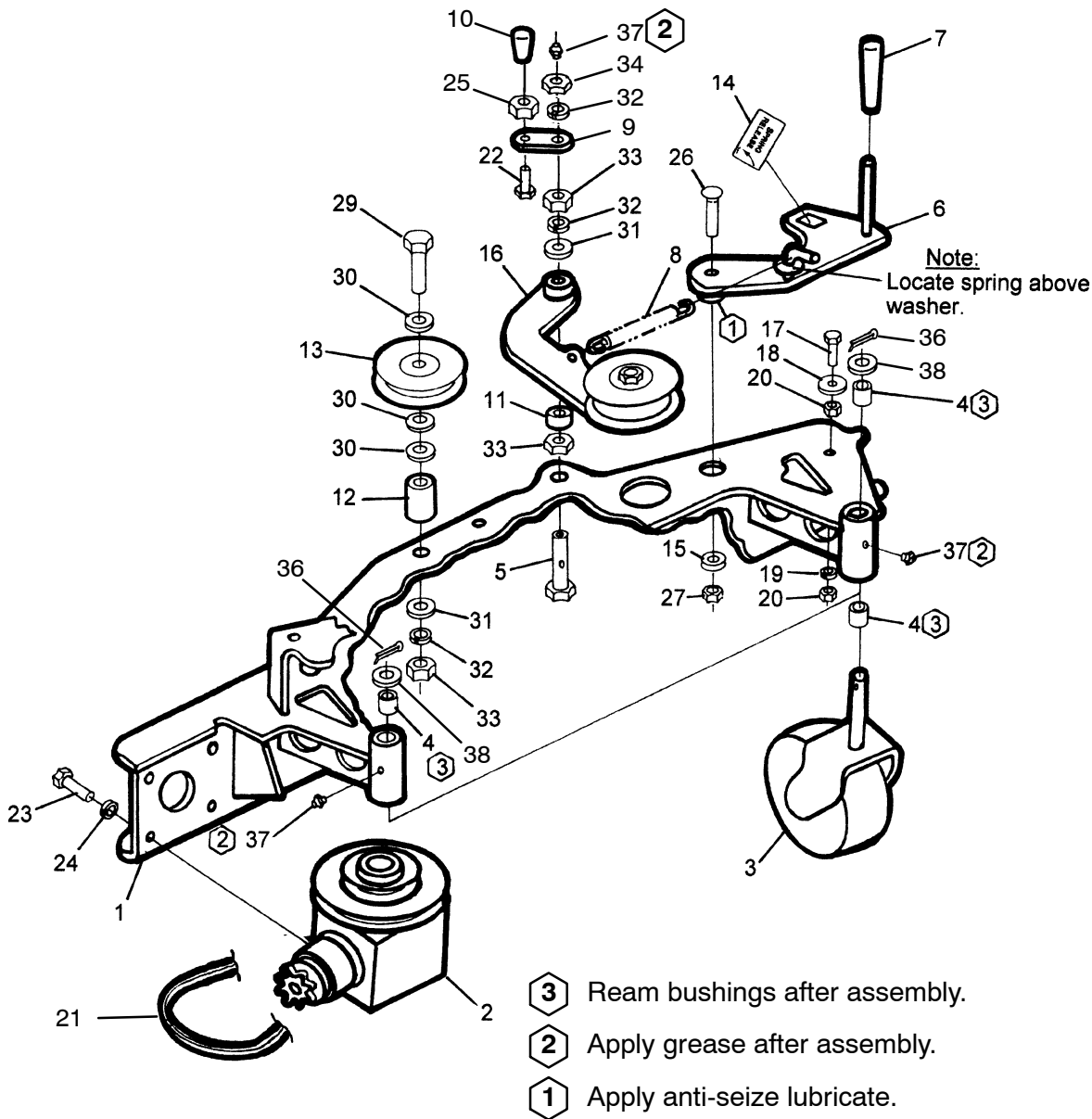


19	2	10-1204	Jam Nut 1/2
18	2	NSS	Lock Washer 1/2
17	6	NSS	Washer 1/2
16	2	NSS	Hex Bolt 1/2 x 1.75
15			
14	2	NSS	Nut 3/8
13	2	NSS	Lock Washer 3/8
12	2	NSS	Washer 3/8
11			
10	2	NSS	Carr Bolt 3/8 x 1.75
9			
8	1	BR-0140	Decal - belt conf.
7	1	10-0438	Decal - Warning
6	1	10-1183	Decal (Broom)
5	1	10-0437	Decal - Danger
4	2	BR-0092	Ext. Spring 9/16 x 5 length x 1/16 wire
3	1	BR-0044	Latch LH WA
2	1	BR-0043	Latch RH WA
1	1	BR-0063	Lid WA
Item	Qty.	Part #	Description

① Tap-out threads & apply anti-sieze lubricant.

Note: All hardware is Grade 5, plated and course thread unless otherwise specified.

Revisions	7/07 JRD	MODEL 1305	Lid & Latch A	TURF TEQ LLC	Date: 07-07
					BR-0117



38	2	10-1224	Washer 5/8 SAE
37	3	10-1120	Lub Fitting
36	2	10-1232	Cotter Pin 1/8 x 1-1/4
35			
34	1	10-1212	Jam Nut 5/8
33	3	NSS	Nut 5/8
32	3	NSS	Lock Washer 5/8
31	2	NSS	Washer 5/8
30	3	10-1108	Washer 5/8 Machine 5/8 x 1.0 x 1/16
29	1	NSS	Hex Bolt 5/8 x 3.5
28			
27	1	10-1215	Lock Nut 3/8
26	1	NSS	Carr Bolt 3/8 x 1.25
25	1	NSS	Nut 5/16
24	4	NSS	Lock Washer 5/16
23	4	NSS	Hex Bolt 5/16 x 3/4
22	1	NSS	Hex Bolt 5/16 x 1
21	1	BR-0084	V-Belt (B-74)
20	2	NSS	Nut 1/4
19	1	NSS	Lock Washer 1/4
18	1	NSS	Washer 1/4
17	1	NSS	Hex Bolt 1/4 x 1
16	1	BR-0115	Idler Arm A
15	1	BR-0132	Washer 3/8 x 1.5 x 3/16
14	1	BR-0141	Decal (spring release)
13	1	10-0501	Flat Idler
12	1	BR-0158	Spacer 5/8 x 1.25 x 1.6 length
11	1	10-0659	Spacer 5/8 x 3/4 x 1.3 length
10	1	BR-0139	Bumper
9	1	BR-0201	Flat
8	1	BR-0121	Spring
7	1	10-0332	Handle
6	1	BR-0130	Arm WA
5	1	10-0587	Drilled Bolt
4	4	BR-0058	Bushing
3	2	BR-0119	Caster Wheel A
2	1	BR-0114	Gearbox A
1	1	BR-0145	Carrier Frame WA
Item	Qty.	Part #	Description

Note: All hardware is Grade 5, plated and course thread unless otherwise specified.

TURF TEQ LLC

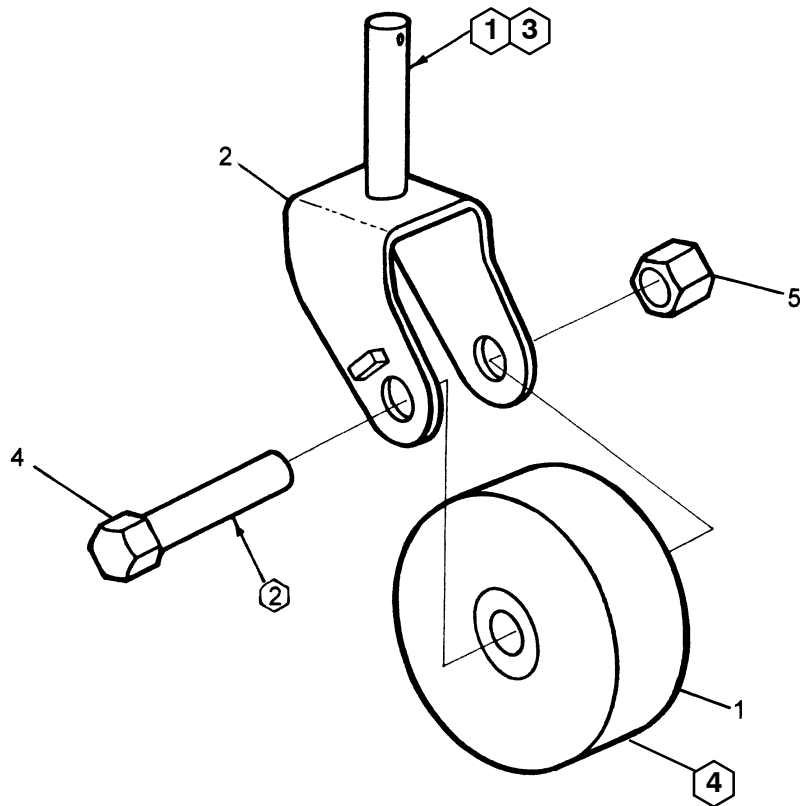
Date: 07-07

Revisions 7/07 JRD

MODEL 1305

Carrier Frame A

BR-0118



- 4 Wheel must spin freely.
- 3 Remove plating on shaft only.
- 2 Apply grease.
- 1 Emery cloth shaft to remove plating.

Note: All hardware is Grade 5, plated and course thread unless otherwise specified.

5	1	10-1233	Lock Nut 3/4
4	1	NSS	Hex Bolt 3/4 x 4
3			
2	1	BR-0066	Caster WA
1	1	BR-0033	Wheel (5" dia. x 2" width)
<i>Item</i>	<i>Qty.</i>	<i>Part #</i>	<i>Description</i>

TURF TEQ LLC

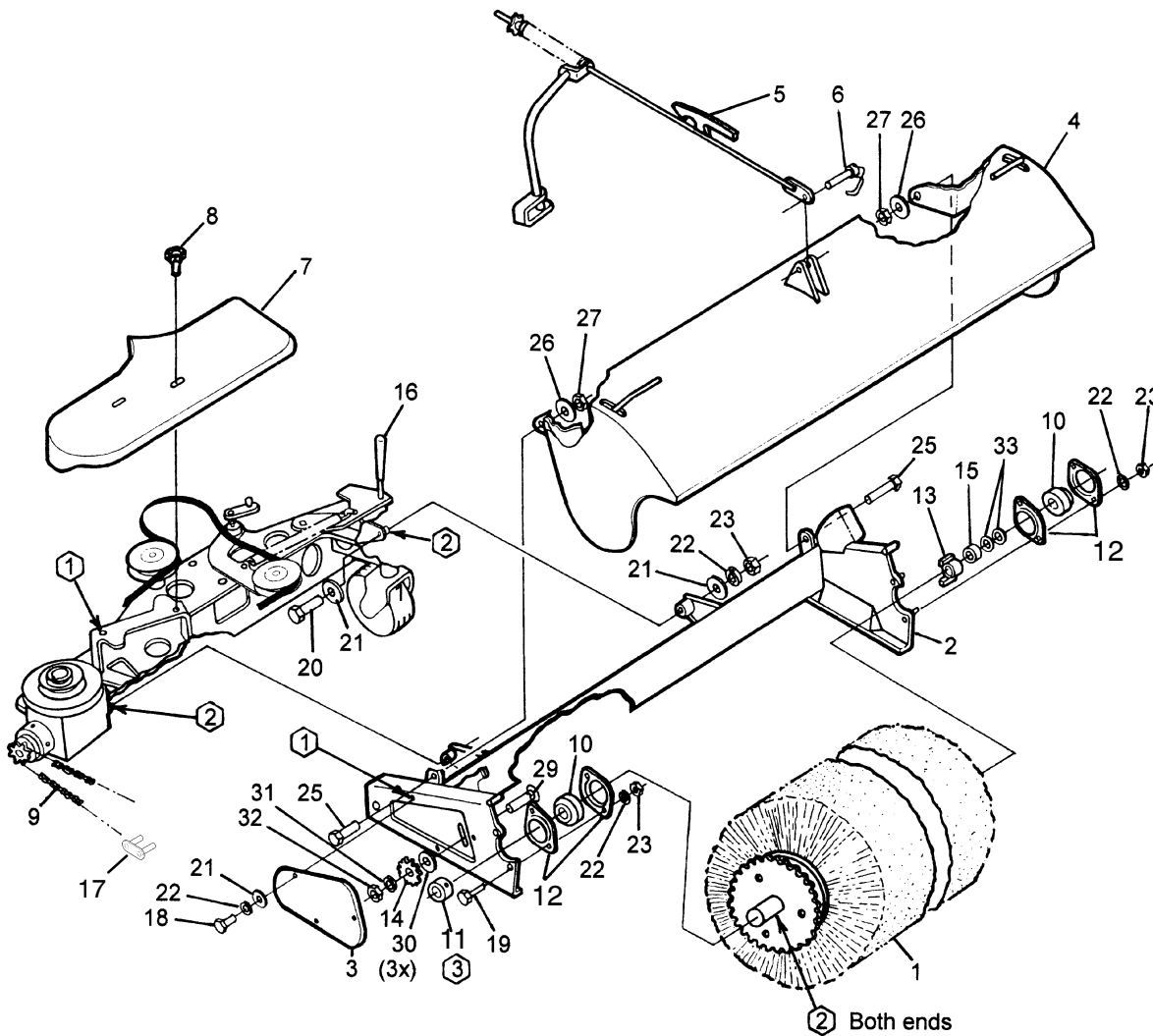
Date: 07-07

Revisions 7/07 JRD

MODEL 1305

Caster Wheel A

BR-0119



- ③ Apply loctite 271 threadlocker to lock collar set screw.
- ② Apply anti-seize lubricate.
- ① Tap-out threads.

Note: All hardware is Grade 5, plated and coarse thread unless otherwise specified.

33	2	10-1123	Washer 7/8 Machine 7/8 x 1.38 x 1/16
32	1	NSS	Nut 1/2
31	1	NSS	Lock Washer 1/2
30	3	NSS	Washer 1/2
29	1	NSS	Carr Bolt 1/2 x 2
28			
27	2	10-1215	Lock Nut 3/8
26	2	NSS	Washer 3/8
25	2	NSS	Hex Bolt 3/8 x 1
24			
23	5	NSS	Nut 5/16
22	8	NSS	Lock Washer 5/16
21	5	NSS	Washer 5/16
20	1	NSS	Hex Bolt 5/16 x 1.75
19	2	NSS	Hex Bolt 5/16 x 3/4
18	3	NSS	Hex Bolt 5/16 x 1/2
17	REF	BR-0112	RC-40 Connecting Link (service only)
16	1	BR-0118	Carrier Frame A
15	1	BR-0147	Spacer 7/8 x 1.4 x .29 length
14	1	BR-0055	Sprocket Idler
13	1	BR-0094	Stop WA
12	1	BR-0032	Flangette
11	4	ref	Lock Collar 1"-Supplied w/brg BR-0031
10	2	BR-0031	Bearing & Lock Collar
9	1	BR-0034	Roller Chain A (RC-40) (48.5")
8	2	10-0618	Shield Knob
7	1	BR-0083	Shield WA
6	1	10-0574	Snapper Pin
5	1	BR-0155	Lift Linkage A
4	1	BR-0117	Lid & Latch A
3	1	BR-0102	Cover
2	1	BR-0072	Brush Frame WA
1	1	BR-0116	Brush A Complete With Shaft
Item	Qty.	Part #	Description

TURF TEQ LLC

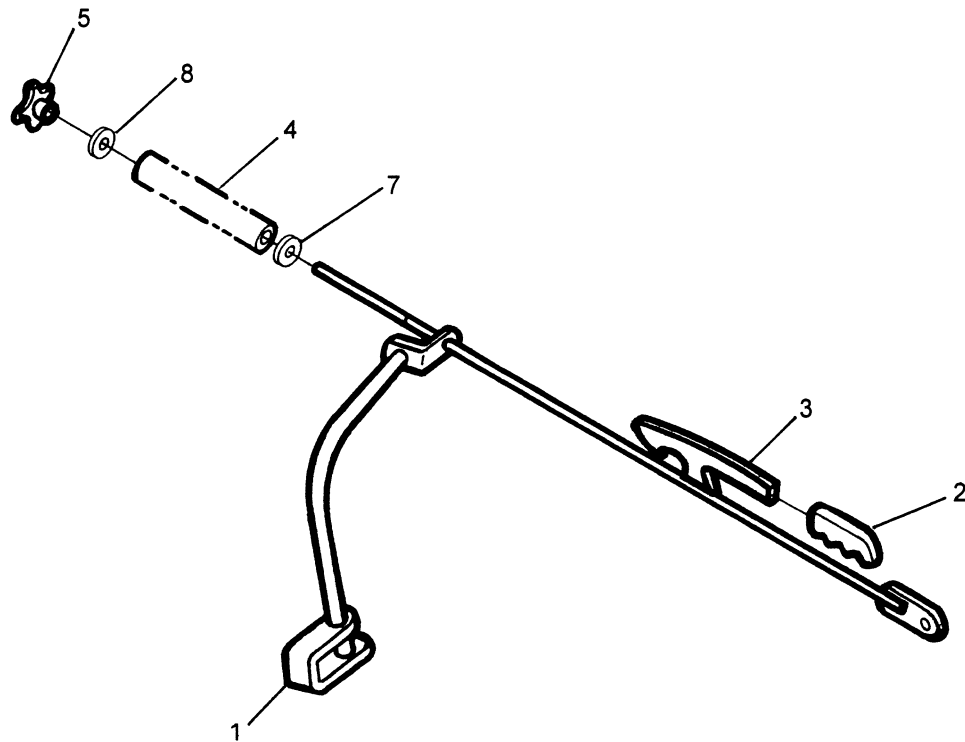
Date: 08-07

Revisions 8/07 JRD

MODEL 1305

Broom Attachment A

A1300B/BR-0142



8	1	NSS	Washer 1/2
7	1	NSS	Washer 5/8
6			
5	1	BR-0086	Knob
4	1	BR-0108	Spring
3	1	BR-0064	Link WA
2	1	10-0474	Grip
1	1	BR-0090	Lift Arm WA
<i>Item</i>	<i>Qty.</i>	<i>Part #</i>	<i>Description</i>

Note: All hardware is Grade 5, plated and course thread unless otherwise specified.

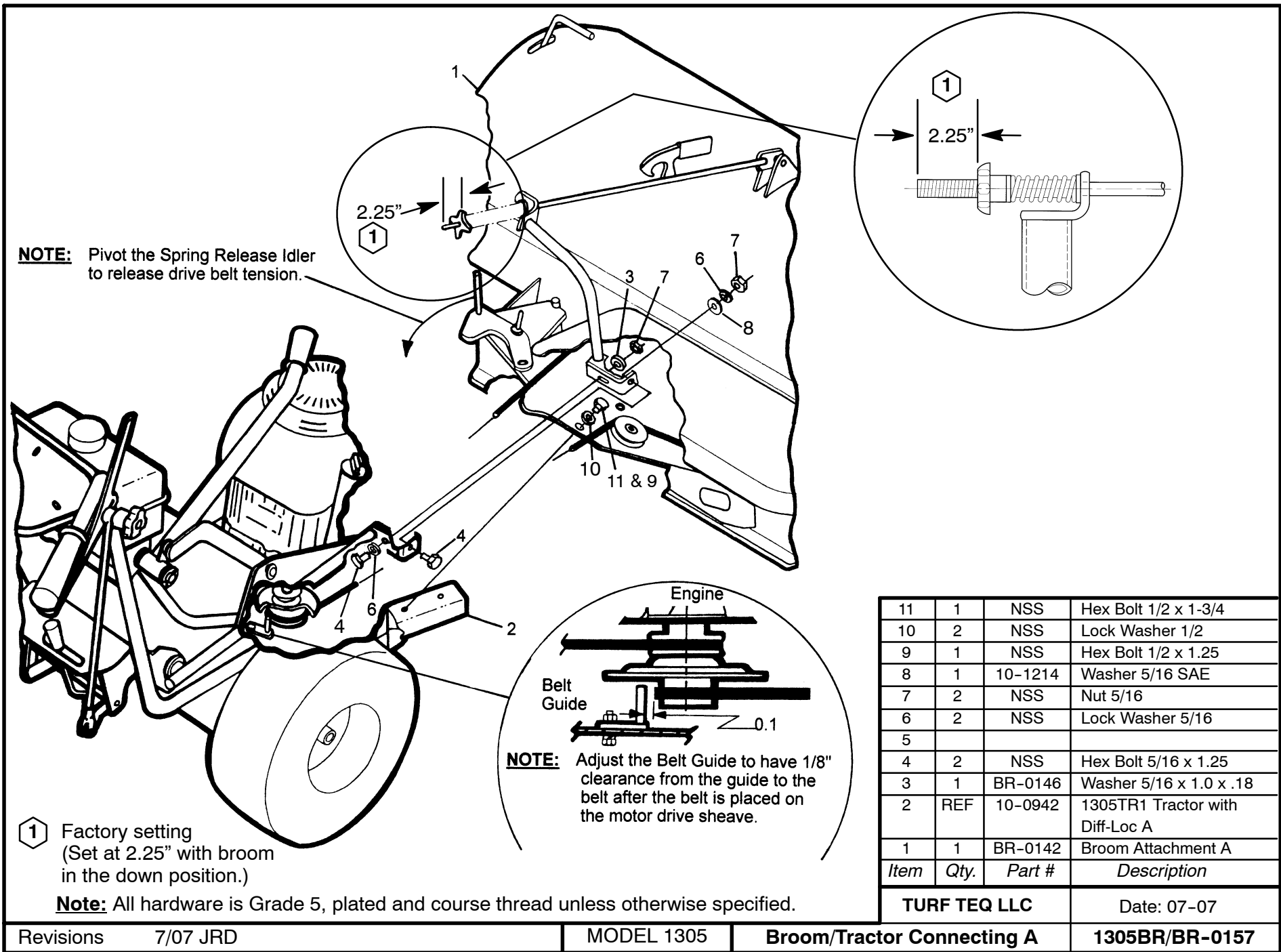
TURF TEQ LLC	Date: 02-23-05
Lift Linkage A	BR-0155

Revisions

MODEL 1305

Lift Linkage A

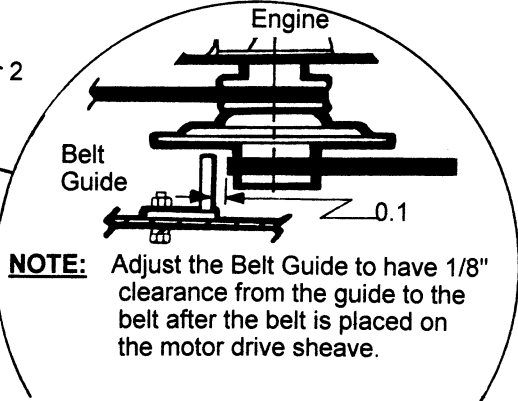
BR-0155



NOTE: Pivot the Spring Release Idler to release drive belt tension.

1 Factory setting
(Set at 2.25" with broom
in the down position.)

Note: All hardware is Grade 5, plated and course thread unless otherwise specified.



NOTE: Adjust the Belt Guide to have 1/8" clearance from the guide to the belt after the belt is placed on the motor drive sheave.

11	1	NSS	Hex Bolt 1/2 x 1-3/4
10	2	NSS	Lock Washer 1/2
9	1	NSS	Hex Bolt 1/2 x 1.25
8	1	10-1214	Washer 5/16 SAE
7	2	NSS	Nut 5/16
6	2	NSS	Lock Washer 5/16
5			
4	2	NSS	Hex Bolt 5/16 x 1.25
3	1	BR-0146	Washer 5/16 x 1.0 x .18
2	REF	10-0942	1305TR1 Tractor with Diff-Loc A
1	1	BR-0142	Broom Attachment A
<i>Item</i>	<i>Qty.</i>	<i>Part #</i>	<i>Description</i>

TURF TEQ LLC

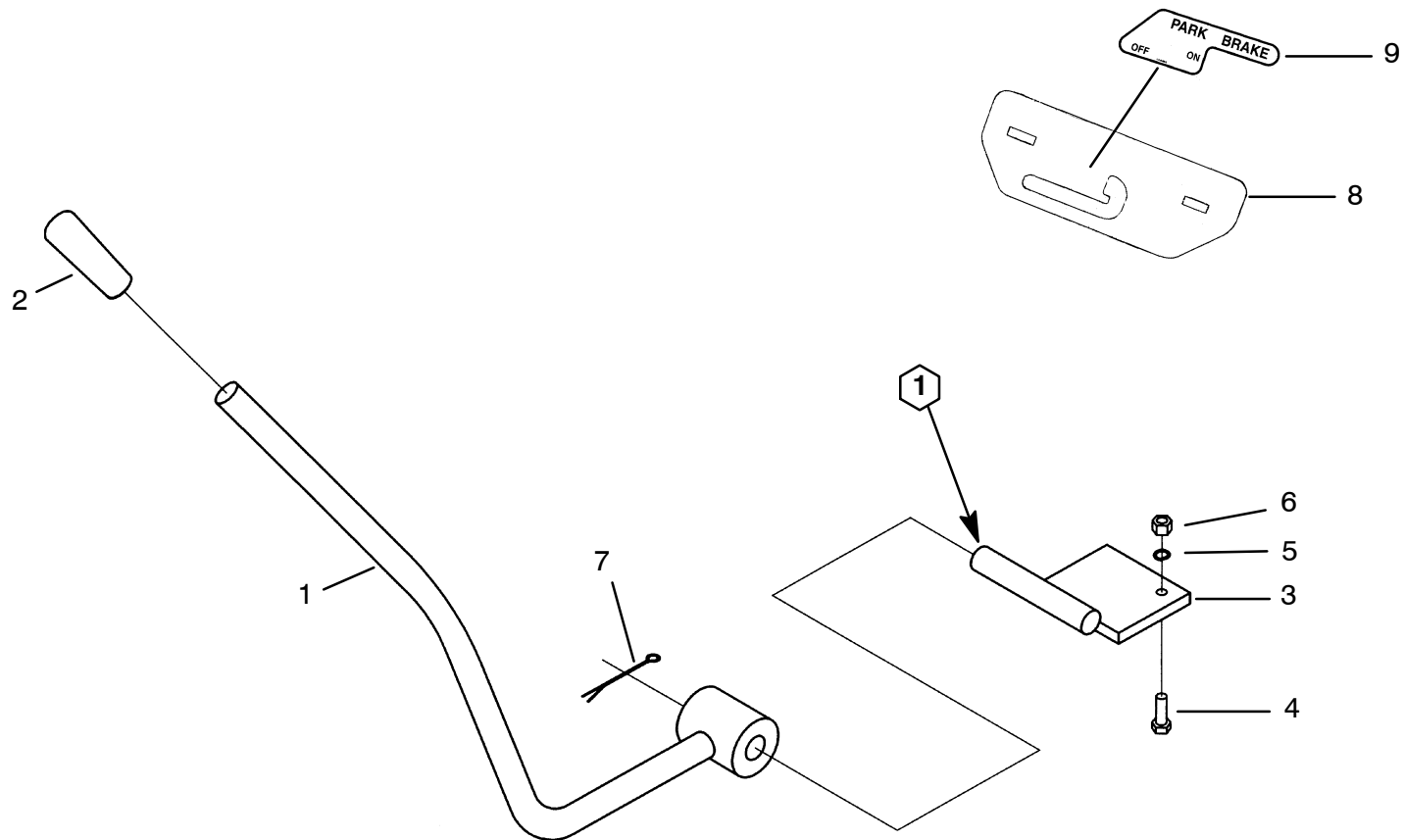
Date: 07-07

Revisions 7/07 JRD

MODEL 1305

Broom/Tractor Connecting A

1305BR/BR-0157



Optional Equipment

1 Apply Anti-Seize Lubricant.

Note: All hardware is Grade 5, plated and course thread unless otherwise specified.

9	1	10-0888	Decal
8	1	10-0803	Plate
7	1	10-1210	Cotter Pin 3/32 x 3/4
6	1	NSS	Nut 3/8
5	1	NSS	Lock Washer 3/8
4	1	NSS	Hex Bolt 3/8 x 1
3	1	10-0760	Base WA
2	1	10-0332	Handle Grip
1	1	10-0758	Lever WA
<i>Item</i>	<i>Qty.</i>	<i>Part #</i>	<i>Description</i>

TURF TEQ LLC

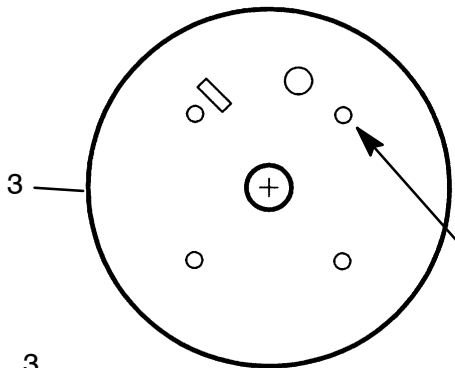
Date:0 7-07

Revisions 7/07 JRD

MODEL 1305

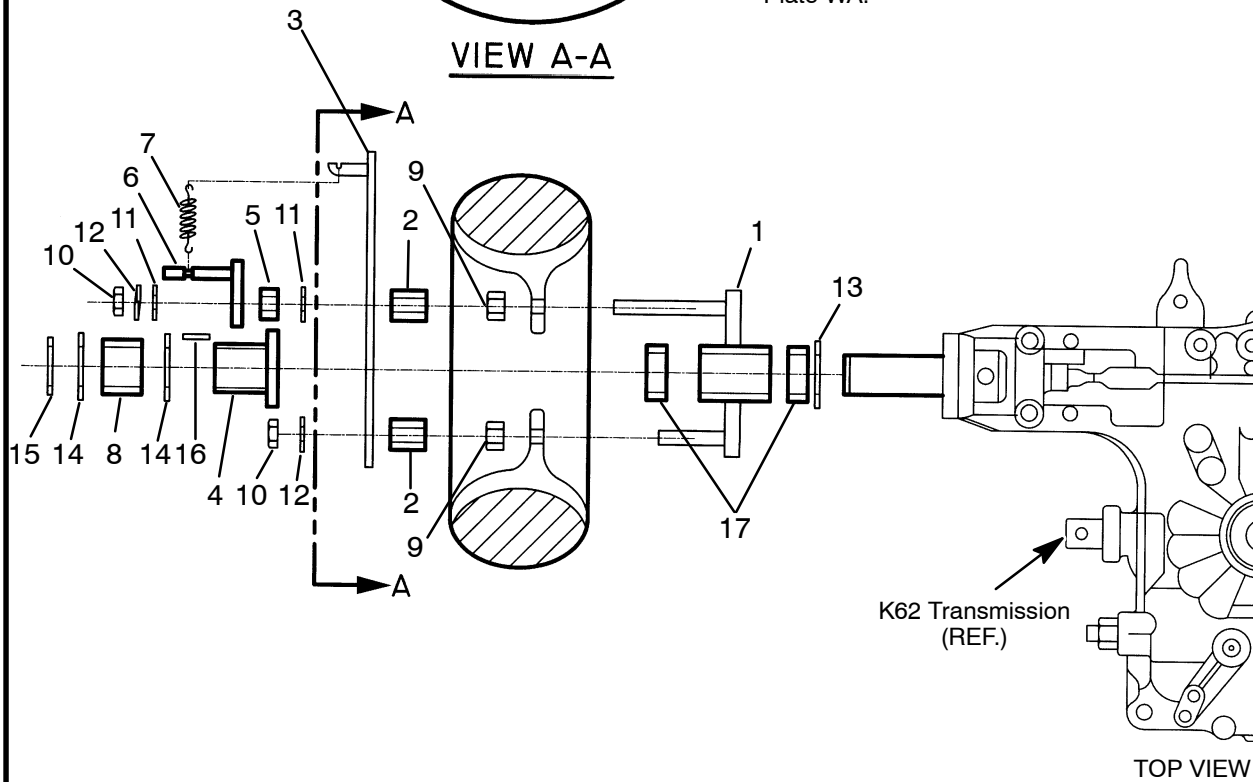
Park Brake Kit A

K1305PB/10-0934



NOTE: The longest threaded rod on Item #1 Wheel-Loc Hub, goes through this hole on Item #3 Plate WA.

VIEW A-A



Optional Equipment

17	2	10-0104	Bushing 1 x 1.25 x 1
16	1	10-1116	Key 1/4 x 1.25
15	1	10-1113	E-Clip 1"
14	2	10-1110	Washer 1" Machine 1 x 1.5 x .07
13	1	10-1217	Washer 1 SAE
12	4	NSS	Lock Washer 1/2
11	2	10-1106	Washer 1/2 Machine 1/2 x 7/8 x .07
10	4	10-1218	Jam Nut 1/2" Fine Thread
9	4	10-1219	Lug Nut 1/2" Fine Thread
8	1	10-0875	Spacer
7	1	10-0877	Spring C-137
6	1	10-0879	Engagement WA
5	1	10-0843	Spacer
4	1	10-0871	Wheel Engagement Hub WA
3	1	10-0921	Plate WA
2	4	10-0876	Spacer
1	1	10-0874	Wheel-Loc Hub
<i>Item</i>	<i>Qty.</i>	<i>Part #</i>	<i>Description</i>

Note: All hardware is Grade 5, plated and course thread unless otherwise specified.

TURF TEQ LLC

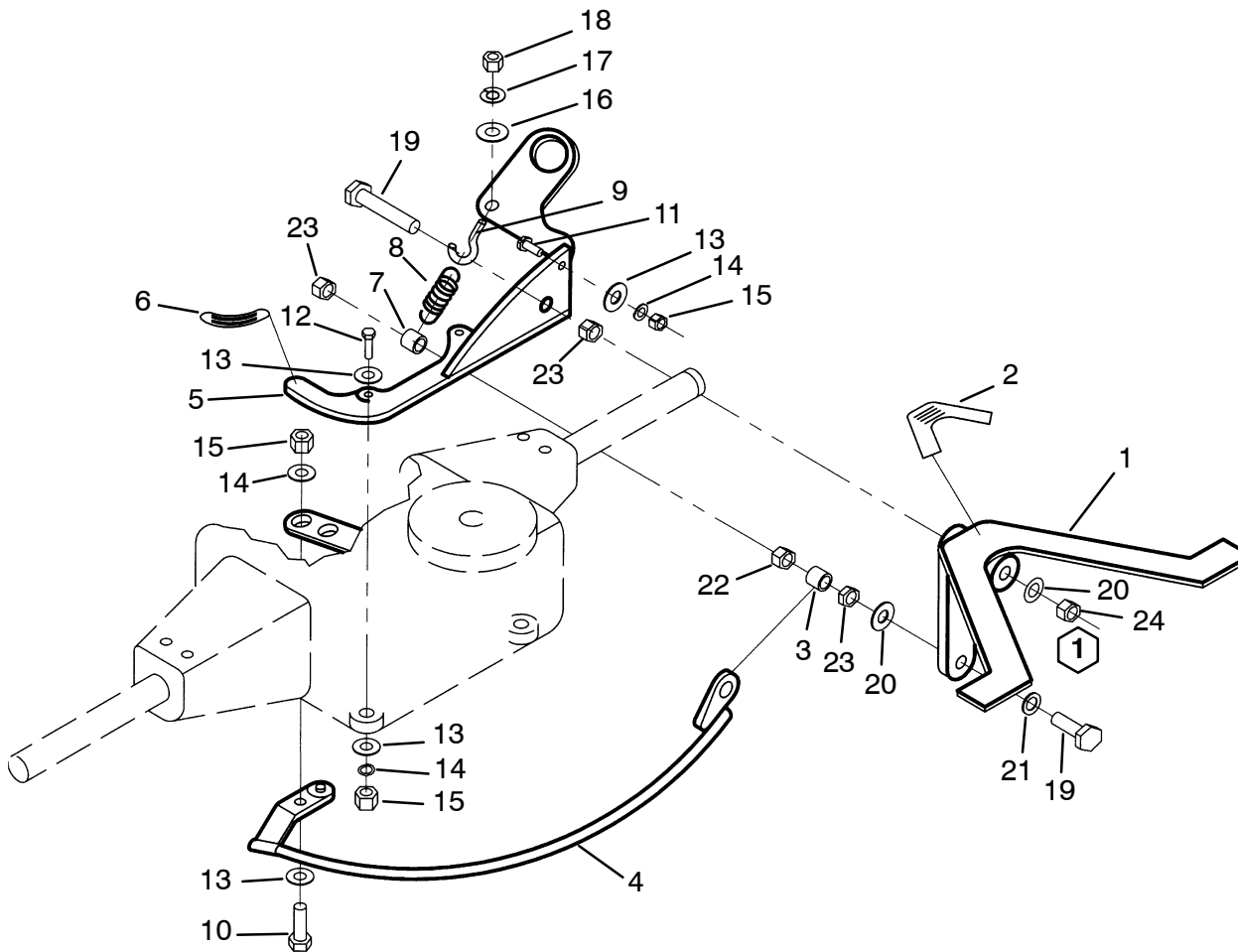
Date: 07-07

Revisions 7/07 JRD

MODEL 1305

Wheel-Loc Kit A

K1305WL/10-0936



Note: Items 5, 6, 11, 12, 13, 14, and 15 are standard on all machines and are not part of the optional kit.

24	1	10-1220	Lock Nut 1/2
23	3	10-1204	Jam Nut 1/2
22	1	NSS	Nut 1/2
21	1	NSS	Lock Washer 1/2
20	2	10-1106	Washer 1/2 Machine 1/2 x 7/8 x .07
19	2	NSS	Hex Tap Bolt 1/2 x 3
18	1	NSS	Nut 3/8
17	1	NSS	Lock Washer 3/8
16	1	10-1221	Washer 3/8 SAE
15	4	NSS	Nut 5/16
14	5	NSS	Lock Washer 5/16
13	5	10-1214	Washer 5/16 SAE
12	2	NSS	Hex Bolt 5/16 x 2.25
11	1	NSS	Carr Bolt 5/16 x 1
10	1	NSS	Hex Bolt 5/16 x 1
9	1	10-0757	Eyebolt 3/8 x 4
8	1	10-0756	Spring
7	1	10-0843	Spacer
6	1	10-0884	Decal
5	1	10-0818	Mount WA
4	1	10-0867	Arm WA
3	1	10-0883	Bushing
2	1	10-0885	Decal
1	1	10-0817	Arm WA
<i>Item</i>	<i>Qty.</i>	<i>Part #</i>	<i>Description</i>

1 Install nut so there is 1/16" gap between 20 and 24.

Optional Equipment

Note: All hardware is Grade 5, plated and course thread unless otherwise specified.

TURF TEQ LLC

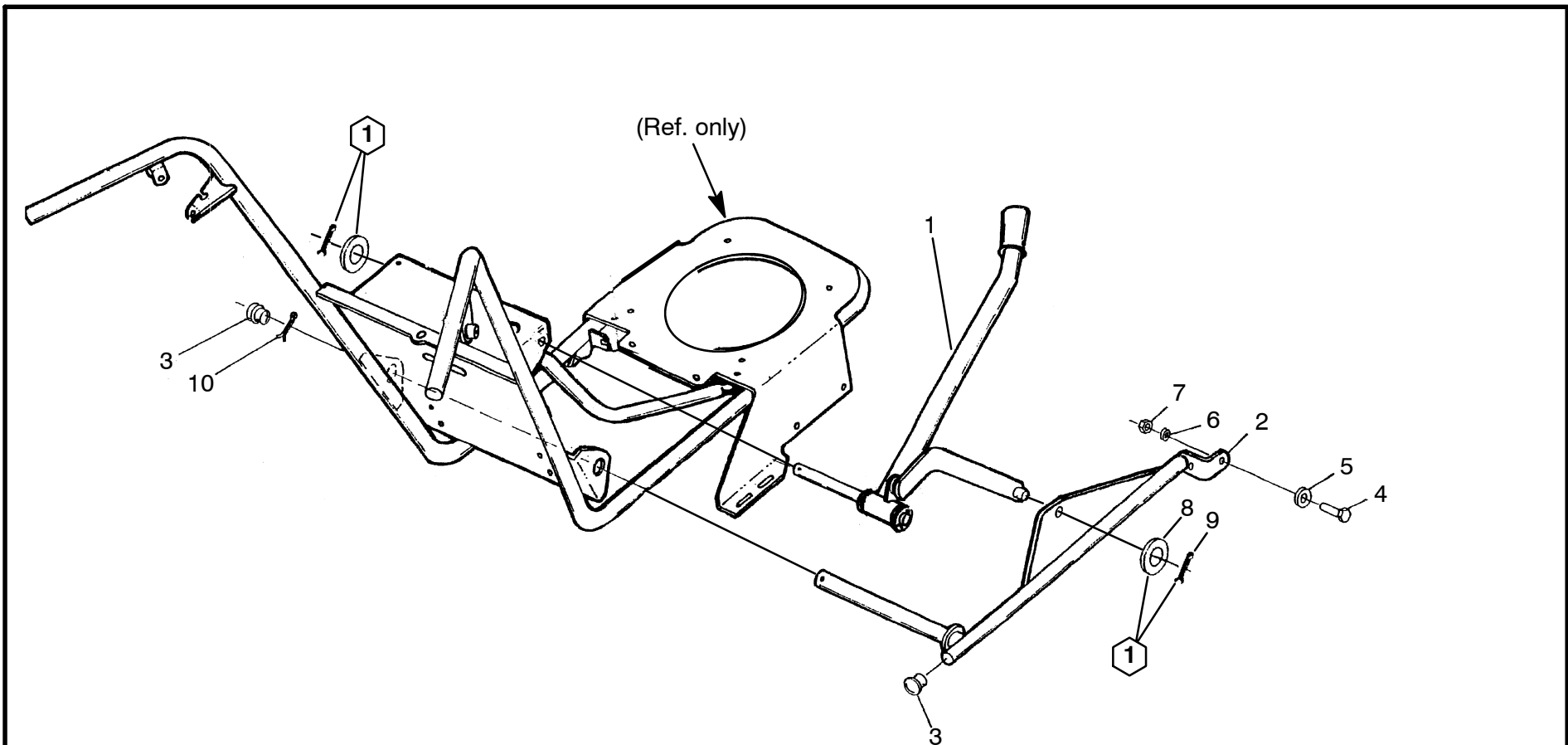
Date:12-07

Revisions 12/07 JRD

MODEL 1305

Differential-Loc Kit A

K1305DL/10-0937



1 Supplied With Lift Arm (Item #1).

Note: All hardware is Grade 5, plated and course thread unless otherwise specified.

10	1	10-1222	Cotter Pin 1/8 x 1-3/4
9	1	10-1223	Cotter Pin 1/8 x 3/4
8	1	10-1224	Washer 5/8 SAE 1.31 x .65 x .09
7	1	NSS	Nut 5/16
6	1	NSS	Lock Washer 5/16
5	1	10-1214	Washer 5/16 SAE
4	1	NSS	Hex Bolt 5/16 x 1
3	2	10-0354	End Plug
2	1	10-0341	Lift Arm WA
1	1	10-0680	Lift Arm A
<i>Item</i>	<i>Qty.</i>	<i>Part #</i>	<i>Description</i>

TURF TEQ LLC		Date: 07-07
Revisions	7/07 JRD	MODEL 1305
Broom/Edger Lift Kit A		K1305LK/10-0938

